

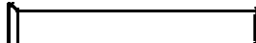



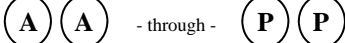




SAFETY UPGRADE KIT INSTALLATION GUIDE:

For the FP-CL/37ARM, Plasma CL/48ARM, and Plasma UCL/48ARMUA

(Please see supplied DVD for further detail)

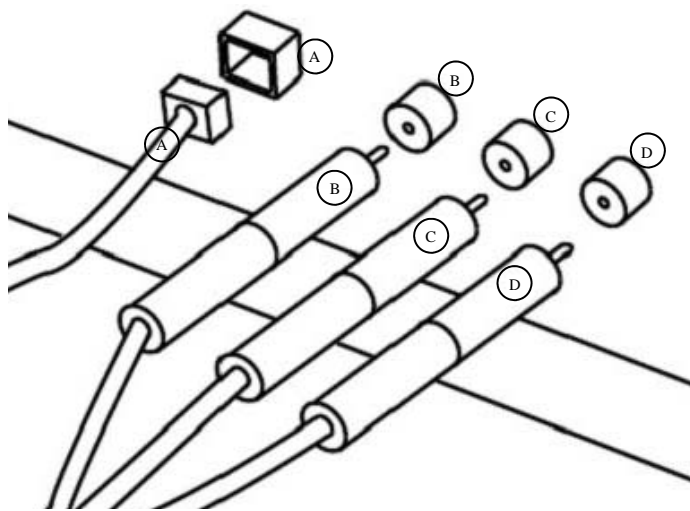
Tools and Parts Used for the Installation

Tools You Need to Supply:		Parts You Will Install:		
Phillips Head Screwdriver, P2 	Hammer 	One Retaining Pin 	One Retaining Screw 	Three Spare Plastic Washers (use only if required) 
Tools We Have Supplied:				
Alignment Bar 	Cable Labeling Kit 	Two Small Allen Wrenches 	One Large Allen Wrench 	

Installation Steps

Step 1: Label and Remove all Cables and Connections

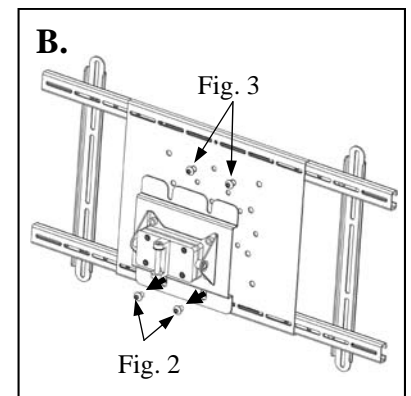
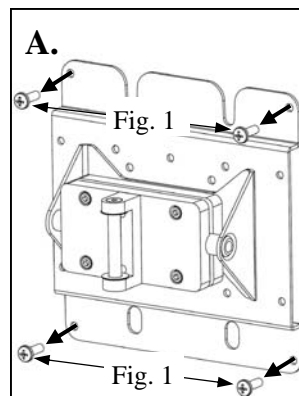
Caution: Power off all components before removing cables



Step 2: Remove your Flat Panel

A. If your Flat Panel is connected directly to the mount, **with assistance** in supporting your Flat Panel, use a Phillips Head Screwdriver to remove the four Mounting Screws (Fig. 1) from your Flat Panel. Store your flat panel safely and securely, and set the mounting screws aside.

B. If your Flat Panel is connected to an adapter plate, **with assistance** in supporting your Flat Panel, use the Large Allen Wrench to remove the bottom two Adapter Plate Screws (Fig. 2). Loosen (do not remove) the top two Adapter Plate Screws (Fig. 3). **With assistance**, lift your Flat Panel up and away from the mount. Store your flat panel safely and securely, and set the mounting screws aside.



Step 3: Remove the Existing Hardware

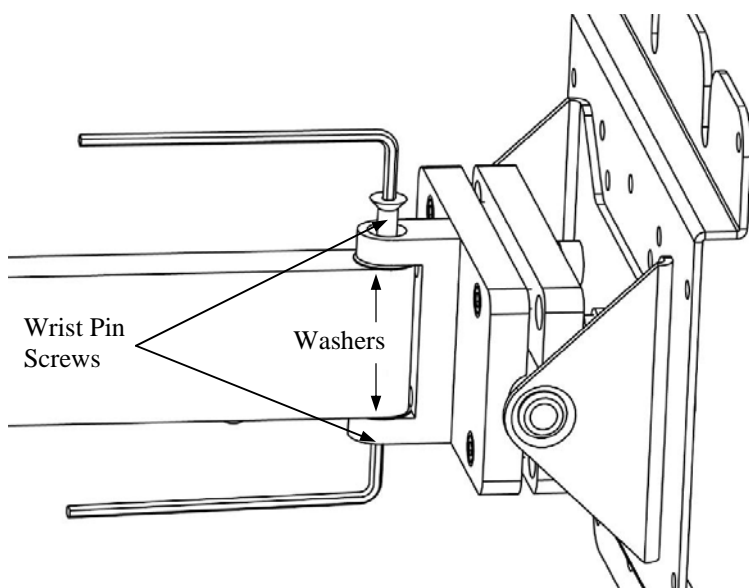
Insert the supplied Small Allen Wrenches into both Wrist Pin Screws. While pressing both Allen Wrenches firmly against the Wrist Pin Screws, hold one Allen Wrench parallel to the Mounting Arm. Turn the other Allen Wrench until either the **top** or the **bottom** Wrist Pin Screw comes out.

NOTE: Complete the following **with assistance** holding the Mounting Head

DEPENDING ON WHICH SCREW COMES OUT FIRST

- If the **top** Wrist Pin Screw comes out first, insert the **Retaining Pin** into the empty hole and gently tap with a hammer to push the remaining hardware completely out.

- If the **bottom** Wrist Pin Screw comes out first, insert the **Alignment Bar** into the empty hole and gently tap with a hammer to push the remaining hardware completely out. Holding the **Alignment Bar** in place, insert the **Retaining Pin** into the top hole (see Diagram in Step #4) and use it to push the **Alignment Bar** completely out.



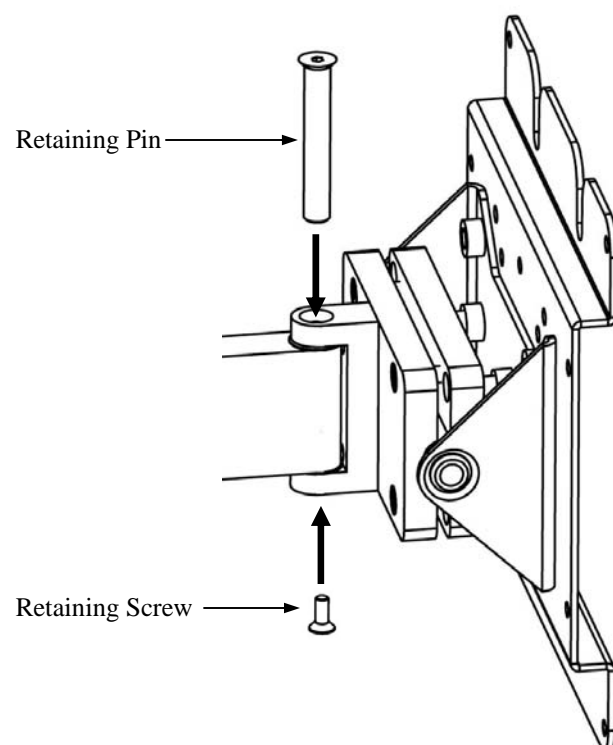
NOTE: Although it is extremely unlikely, if the mounting head becomes detached during Steps #3 or #4, use the existing washers and re-attach the mounting head. If the existing washers are broken or lost, replace them with the supplied Spare Plastic Washers.

Step 4: Install the New Hardware

IMPORTANT: The **Retaining Pin** must be installed from the top; if it is not, install it now.

Insert the Retaining Screw into the bottom hole and thread it into the Retaining Pin by hand. Use one Small Allen Wrench to hold the Retaining screw in place and use the other Small Allen Wrench to turn the Retaining Pin clockwise until it is securely tightened.

Re-attach your Flat Panel and reconnect all of the cables.



If you have any questions regarding the proper installation of this Safety Upgrade Kit, please contact OmniMount Customer Service toll-free at 1-800-668-6848 Monday through Friday between the hours of 8 a.m. and 5 p.m. (Pacific time). We believe most consumers, with a little assistance, can easily and safely install the Safety Upgrade Kit. However, if you are uncomfortable, for any reason, installing the Safety Upgrade Kit, please contact OmniMount and we will arrange to have it installed at no charge to you.